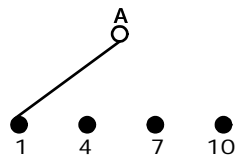
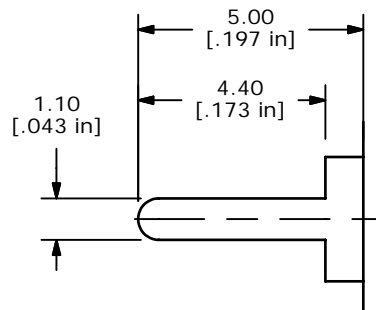
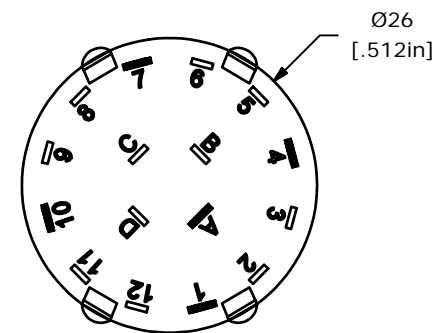
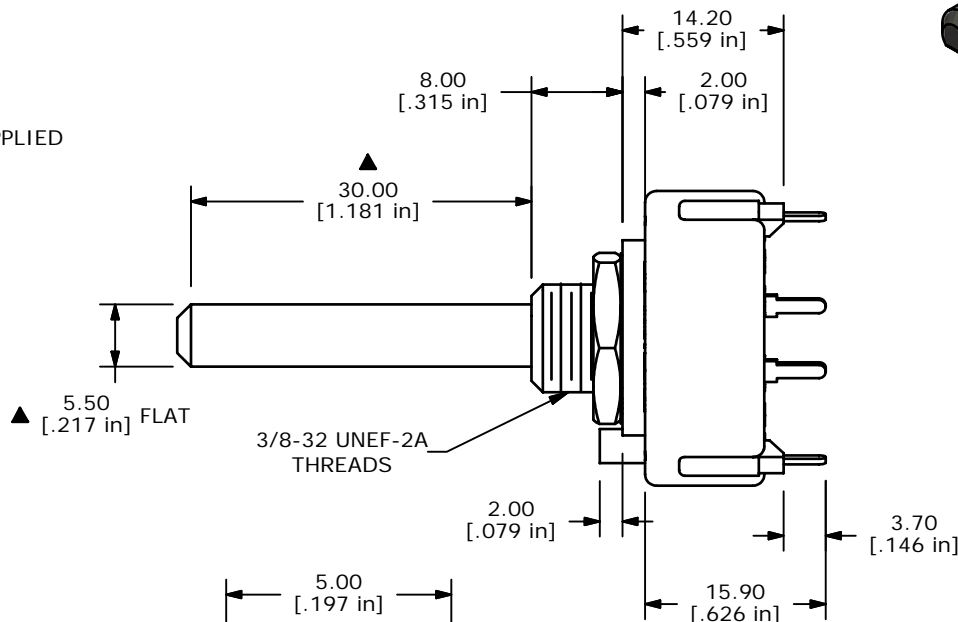
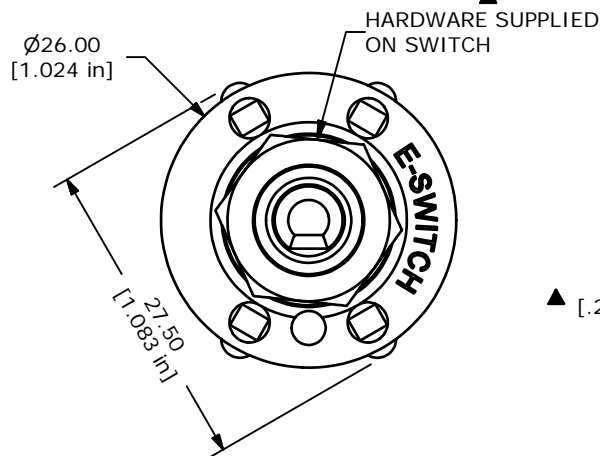


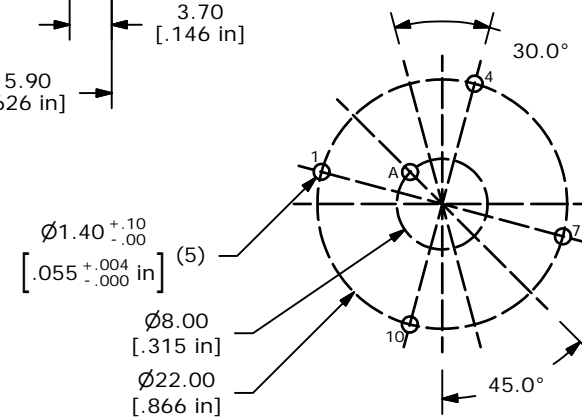
ISOMETRIC



CONTACT CONFIGURATION
TIMING (BBM) NON-SHORTING



DETAIL OF TERMINALS



P.C. MOUNTING

- NOTE:
1. ALL DIMENSIONS IN MM[INCH].
 2. GENERAL TOLERANCE: X.X=±0.4
X.XX=±0.25
 3. TERM. NOS. FOR REFERENCE ONLY.
 - ▲4. CONTACT MATERIAL: SILVER
 5. CONTACT RATING: AC125V @ 0.3A
 6. OPERATING FORCE 425±100CM/STANDARD
 7. OPERATING TEMP: -30°C TO 85°C
 8. CIRCUIT SP: 4 POSITION, -90° INDEX
 9. DIELECTRIC STRENGTH: 1000V RMS MIN.@ SEA LEVEL.
 - ▲10. HARDWARE SUPPLIED ON SWITCH:
LOCKWASHER, HEXNUT
 11. ▲ DENOTES CRITICAL PARAMETER.
 - ▲12. FUNCTION TYPE: NON-STOP
 13. 2002/95/EC (ROHS) COMPLIANT



TITLE KC58A30.001NPS

A	17534	RELEASED FOR PRODUCTION	8/6/07	BF
REV	PCR NO	DESCRIPTION	DATE	BY

THE INFORMATION CONTAINED IN THIS DOCUMENT IS PROPRIETARY TO E-SWITCH AND IS NOT TO BE COPIED OR TRANSFERRED

SCALE	DATE	DR	DWG	REV
1.5:1	8/6/2007	BF	G511014	A